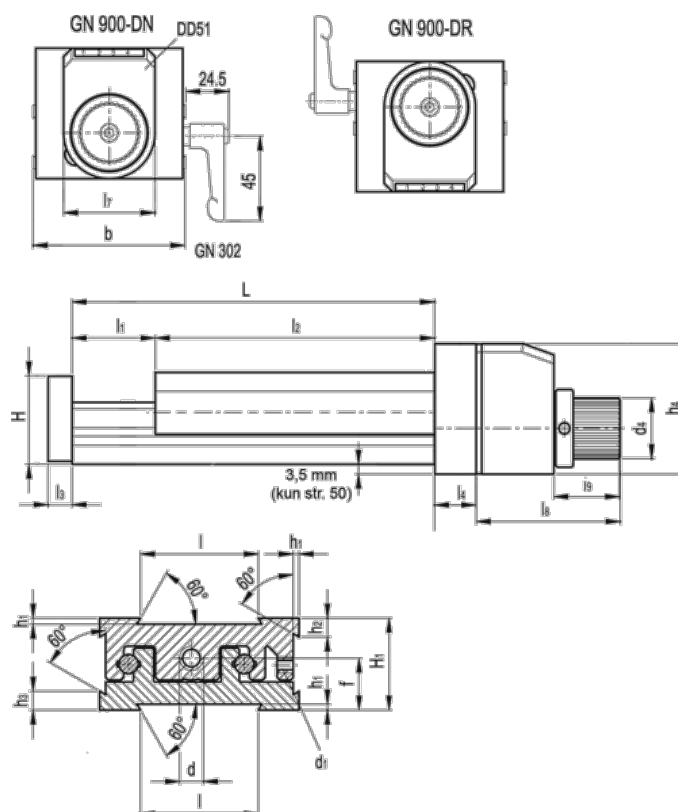


Article number: 20775022

Description: Adjustable slide unit
GN 900-80-195-75-DN-2

Measures



b = 80	h2 = 10.0	l7 = 33
d = M8x1	h3 = 10.0	l8 = 55
d1 = M5	h4 = 51	l9 = 27
d4 = 22	l = 50	
f = 20.5	L - l1 = 195-75	
H = 35.5	l2 = 120	
h1 = 2.0	l3 = 8	
H1 = 36	l4 = 16	